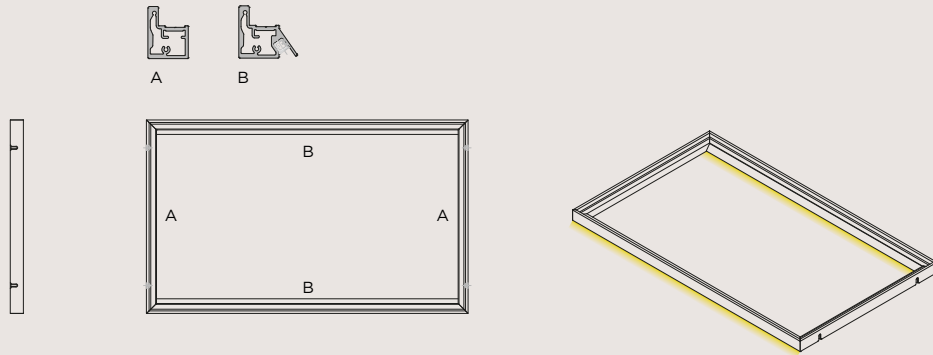


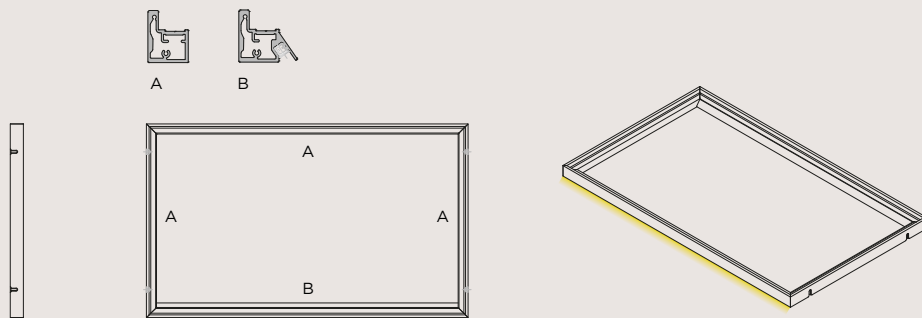
# ALUMINIUM SHELVES

**\_types of shelves available:**

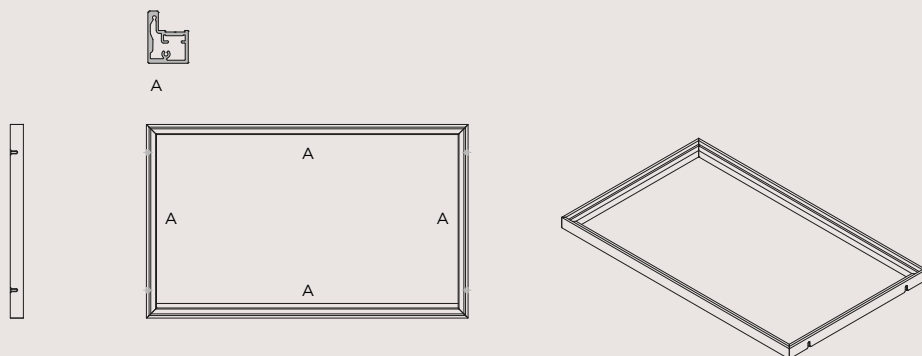
**a. with two led lights (front and back)**



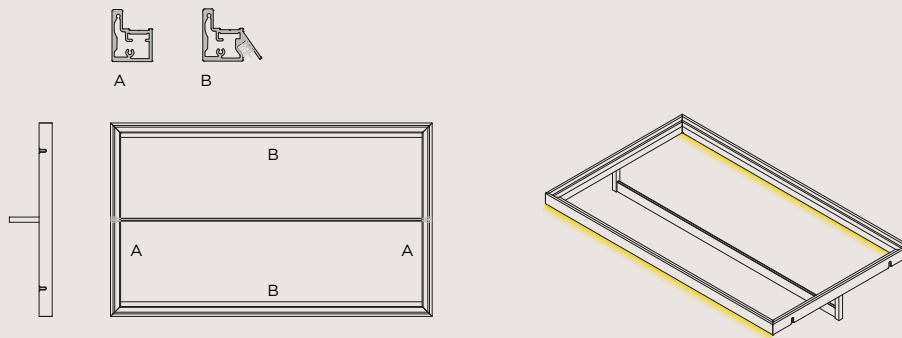
**b. with one led light (front)**



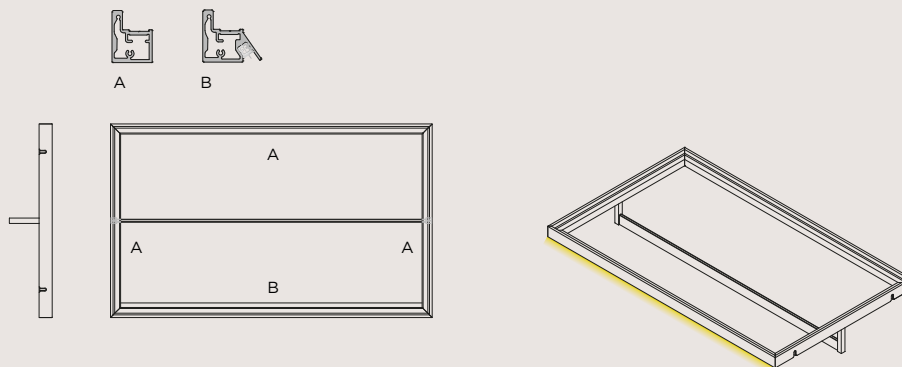
**c. without led lights**



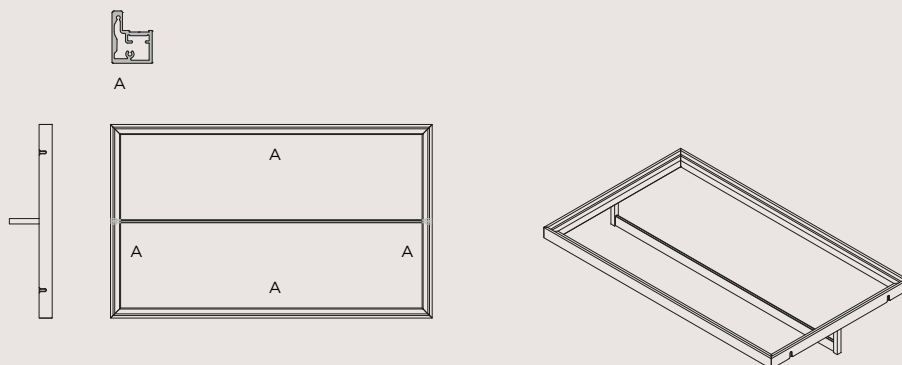
**a. with two led lights (front and back) and hanging rod**



**b. with one led light (front) and hanging rod**



**c. without led lights and hanging rod**



**how to install the led on the shelf with two led lights**



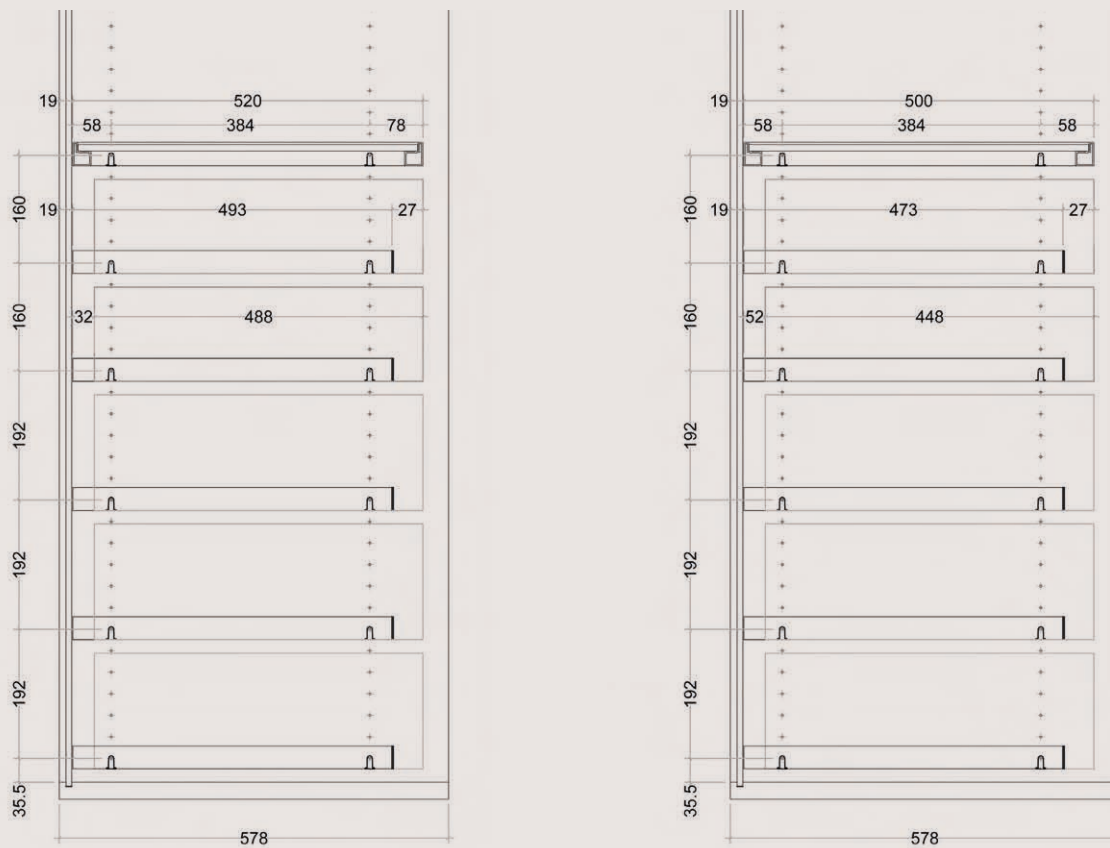
**how to install the led on the shelf with one led light**



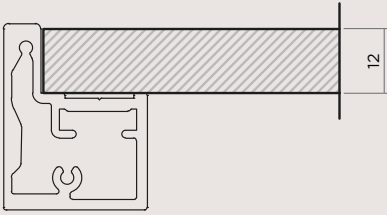
**\_position of the holes for the cables on the back of the shelf**



**\_example of alignments between drawers and shelves with standard depth**



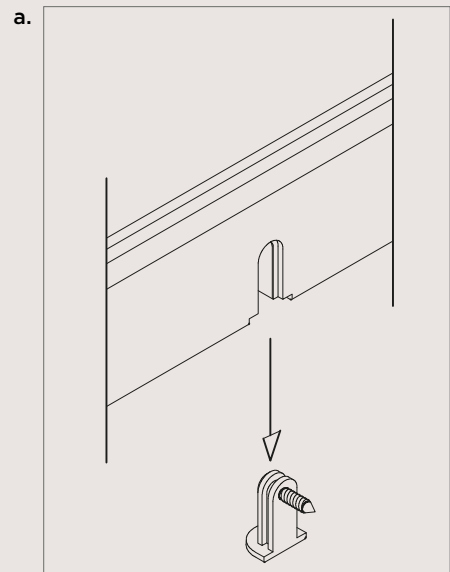
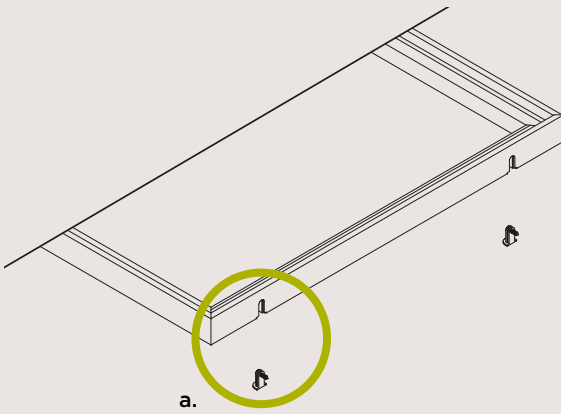
**\_maximum thickness of the panel**



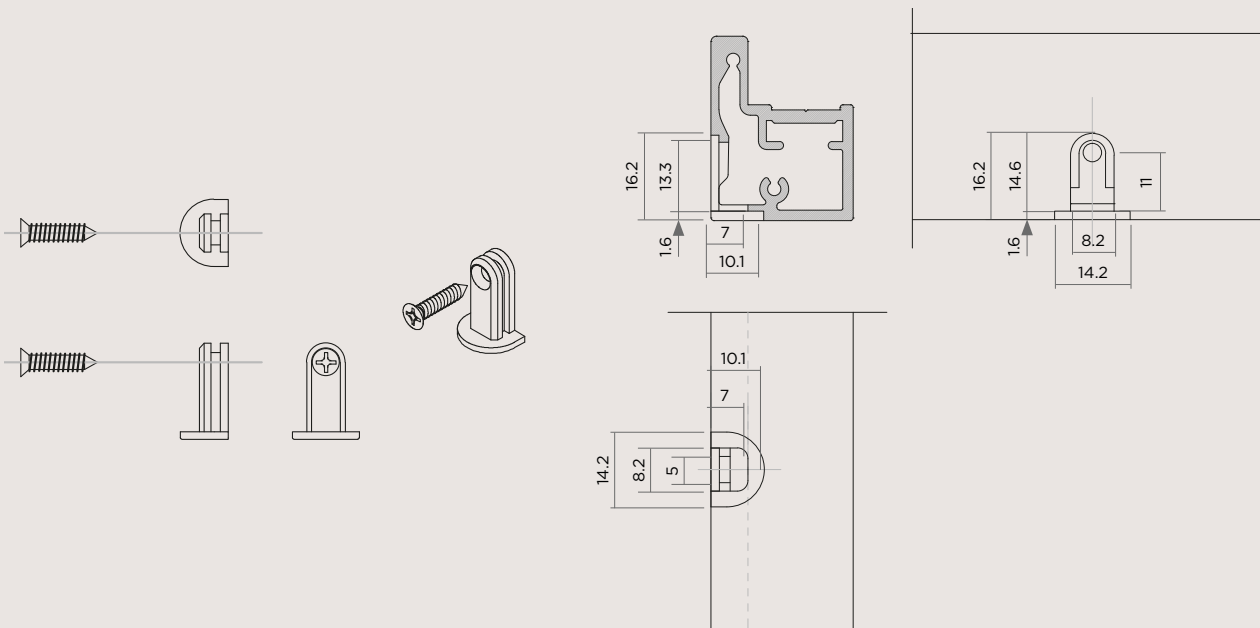
**\_how to calculate the bottom**

WIDTH = Width of shelf - 15mm  
 DEPTH = Depth of shelf - 15mm

**\_how to fix the shelf on the side panel**



**\_shelf supports and milling on the aluminium profile**



**\_how to fix the hanging rod below the shelves**

